

PROPOSED IMPROVEMENT NOTES

- 1 INSTALL 6" HIGH CONCRETE CURB AT EDGE OF DRIVEWAY FROM STAION 0+76 TO TIE INTO RETAINING WALL
- 2 INSTALL 6" HIGH CONCRETE CURB AT OUTSIDE LIMITS OF PAVED PATIO
- 3 INSTALL 33 LF OF RETAINING WALL HEIGHT VARIES 1' TO 3', STRUCTURAL DESIGN BY OTHERS
- 4 INSTALL 25 LF OF RETAINING WALL HEIGHT VARIES 1' TO 3.5', STRUCTURAL DESIGN BY OTHERS
- 5 INSTALL CALTRANS TYPE "A" AC DIKE IN THE COUNTY RIGHT OF WAY AS INDICATED BY A DOUBLE LINE
- 6 INSTALL 41 LF OF RETAINING WALL HEIGHT VARIES 2' TO 4', STRUCTURAL DESIGN BY OTHERS
- 7 INSTALL 70 LF OF RETAINING WALL HEIGHT VARIES 1' TO 3', STRUCTURAL DESIGN BY OTHERS
- 8 INSTALL 2" WIDE 3" (MIN) DEEP CONCRETE VEE GUTTER AT 1% MIN SLOPE, AT SIDE WALL OF GARAGE, 6" THICK 3#3 TRANSVERSE GRADE 40 REBAR. INSTALL 12"x18" DRAIN INLET. TIE DRAIN INLET INTO RAIN WATER LEADER SYSTEM.
- 9 INSTALL ADS 9030SDG 9" ATRIUM GRATE DRAIN INLET FOR EMERGENCY OVERFLOW
- 10 REMOVE CONCRETE SLAB AT CARPORT, DRIVEWAY AND WALK. GRADE TO DRAIN BASED ON NEW FINISH GRADES AND CROSS SECTIONS
- 11 INSTALL CHRISTY V64 SILT & DEBRIS BOX, SEE DETAIL B
- 12 INSTALL NEW ASPHALT PARKING PAD(2"AC OVER 6"AB)

GENERAL NOTES

1. THE INTENT OF THIS PLAN IS TO PROVIDE FOR GRADING AND DRAINAGE IMPROVEMENTS IN ACCORDANCE WITH THE REQUIREMENTS OF SAN MATEO COUNTY.
2. PRIOR TO EXCAVATION, CONTRACTOR SHALL LOCATE ALL UNDERGROUND UTILITIES. CALL 811 TO HAVE UTILITIES LOCATED AND MARKED.
3. STORM DRAIN PIPE SHALL BE POLY VINYL CHLORIDE CONFORMING TO ASTM D 3034, SDR 35 OR APPROVED EQUIVALENT SMOOTH WALL PIPE. CALIFORNIA DEPARTMENT OF TRANSPORTATION (CALTRANS) STANDARD SPECIFICATIONS.
4. CONTRACTOR SHALL TIE ALL DOWNSPOUTS INTO THE NEW STORM DRAIN SYSTEM WITH WATER TIGHT 4" DIAMETER RAIN WATER LEADERS. PROVIDE AIR GAP WHERE LEADER GOES UNDERGROUND.
5. CONTRACTOR SHALL GRADE THE INVERTS OF ALL DRAIN BOXES AND INSTALL ALL STORM DRAIN PIPING TO DRAIN SO AS TO ELIMINATE ALL STANDING WATER.
6. CONTRACTOR SHALL GRADE TO PROVIDE 5% MINIMUM SLOPE AWAY FROM BUILDING FOR A MINIMUM DISTANCE OF 10 FEET IN LOCATIONS WERE CONCRETE SWALE OR CONCRETE FLAT WORK IS NOT INSTALLED, UNLESS OTHERWISE NOTED.
7. DIRT AND DEBRIS SHALL NOT BE WASHED INTO STORM DRAINAGE FACILITIES.
8. AGGREGATE BASE SHALL BE CLASS 2 IN CONFORMANCE WITH SECTION 26 OF THE STATE OF CALIFORNIA DEPARTMENT OF TRANSPORTATION (CALTRANS) STANDARD SPECIFICATIONS.
9. CONTRACTOR SHALL BE RESPONSIBLE FOR JOB SITE SAFETY 24 HOURS A DAY DURING THE COURSE OF CONSTRUCTION, INCLUDING THE SAFETY OF ALL PERSONS AND PROPERTY.
10. ASPHALT CONCRETE (AC) SHALL BE 1/2" MAXIMUM TYPE "B" IN CONFORMANCE WITH SECTION 39 OF THE STATE OF CALIFORNIA DEPARTMENT OF TRANSPORTATION (CALTRANS) STANDARD SPECIFICATIONS. ASPHALT SHALL BE PG-6410 AND AMOUNT TO BE MIXED WITH THE AGGREGATE SHALL BE BETWEEN 5 AND 7 PERCENT BY WEIGHT OF DRY AGGREGATE. ASPHALT FOR AC CURBS SHALL BE PG-6410 WITH 3/8" MAXIMUM SIZE AGGREGATE.

IMPERVIOUS AREA CALCULATIONS

EXISTING IMPERVIOUS AREA	
HOUSE	1,627 SF
GARAGE	1,045 SF
CARPORT	588 SF
SHED	128 SF
CONCRETE DRIVEWAY	1,229 SF
DECKS	1,429 SF
TOTAL EXISTING IMPERVIOUS AREA	6,046*SF
PROPOSED IMPERVIOUS AREA	
ASPHALT DRIVEWAY	2,280 SF
NEW HOUSE	2,992 SF
PAYER PATIO	1,300 SF
PARKING PAD	203 SF
TOTAL PROPOSED IMPERVIOUS AREA	6,775 SF
IMPERVIOUS AREA TO BE REMOVED	6,046 SF
NEW IMPERVIOUS AREA	6,775 SF
NET IMPERVIOUS AREA TO BE ADDED	729 SF

*IMPERVIOUS AREA TO BE REMOVED

ESTIMATED EARTHWORK (NOT FOR BIDDING PURPOSES)

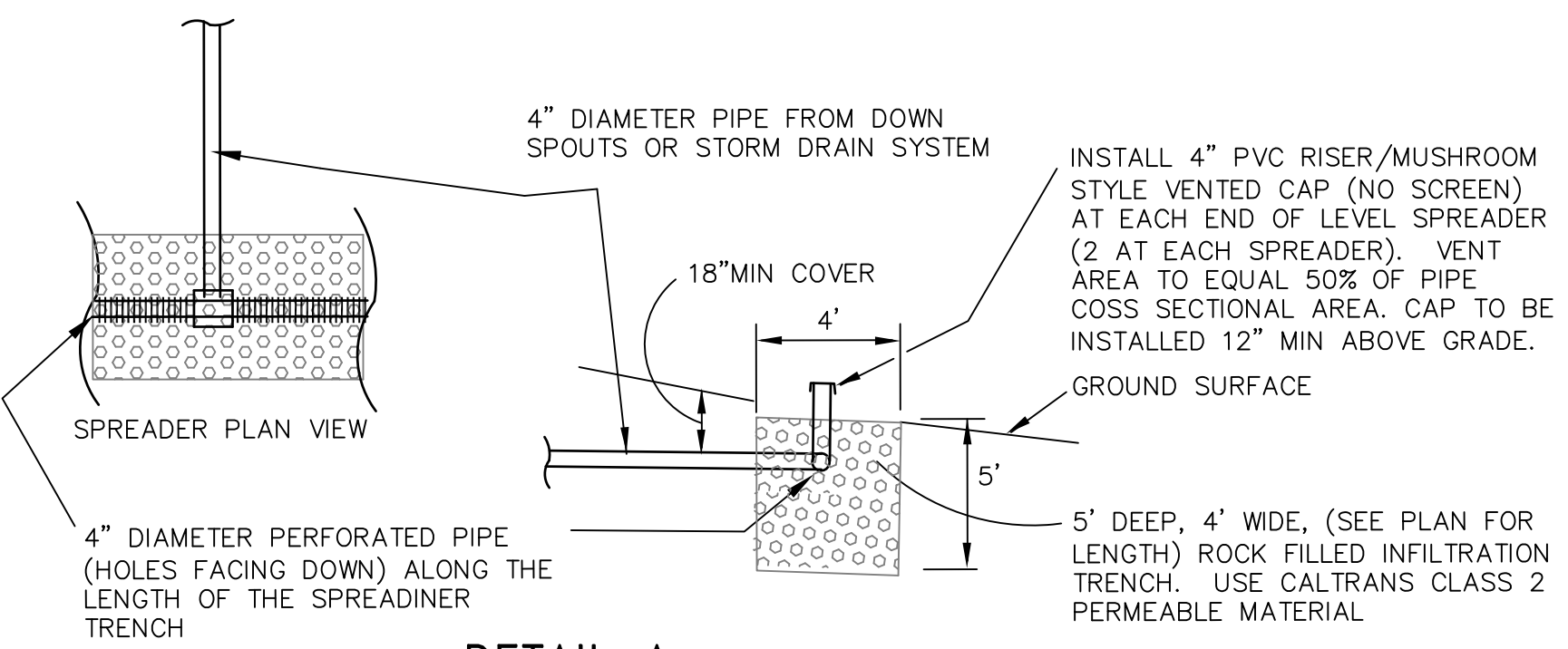
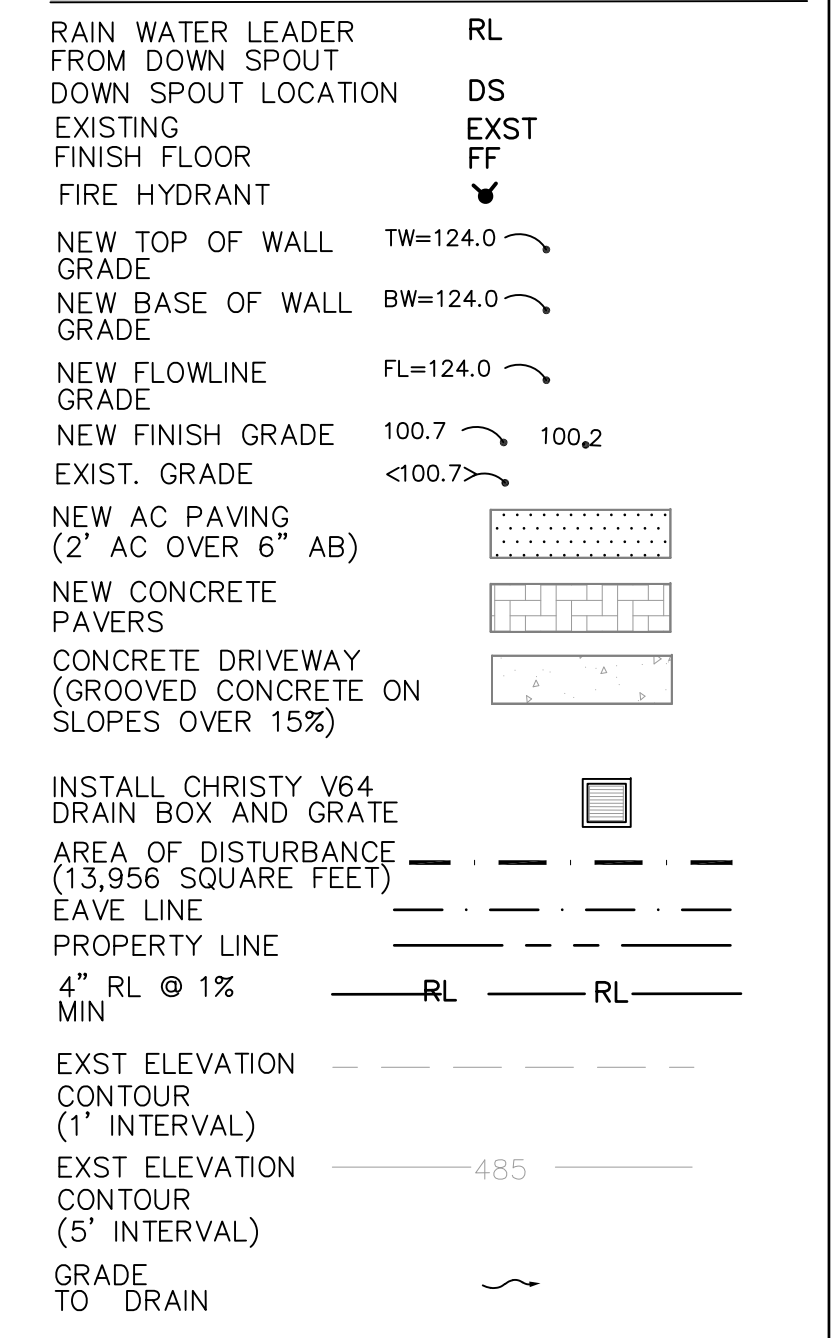
CUT	
AT DRIVEWAY	41 CUBIC YARDS
AT HOUSE	268 CUBIC YARDS
TOTAL CUT	309 CUBIC YARDS
FILL	
AT DRIVEWAY	30 CUBIC YARDS
AT HOUSE	5 CUBIC YARDS
AT PATIO	49 CUBIC YARDS
TOTAL FILL	84 CUBIC YARDS

DOES NOT INCLUDE SHRINKAGE FACTOR FOR FILL

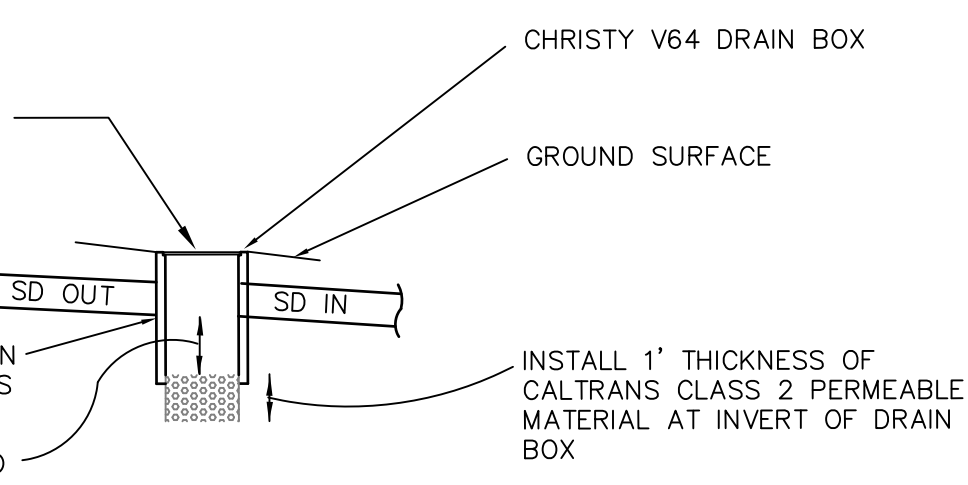
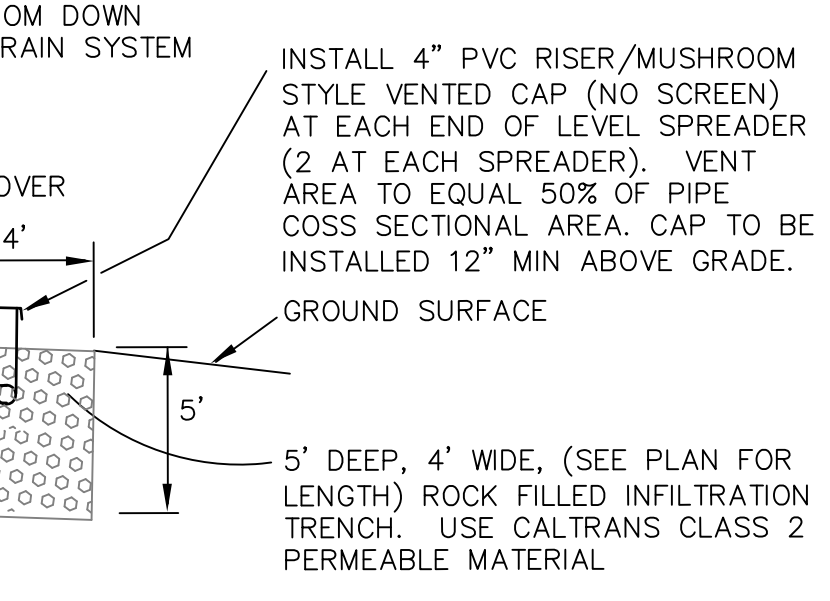
SHEET INDEX

SHEET	DESCRIPTION
C1	GRADING & DRAINAGE PLAN, DETAILS
C2	DRIVEWAY PROFILE, CROSS SECTIONS
C3	WATER POLLUTION CONTROL PLAN
C4	TOPOGRAPHIC MAP
C5	SAN MATEO COUNTY BMP SHEET

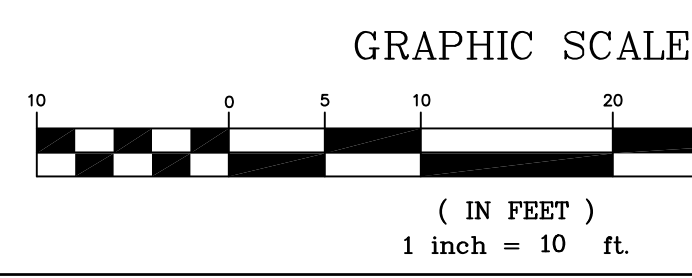
LEGEND



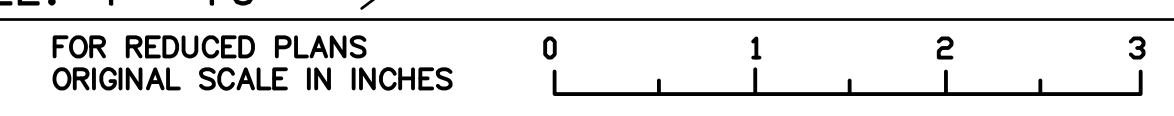
DETAIL A
SCALE: NONE



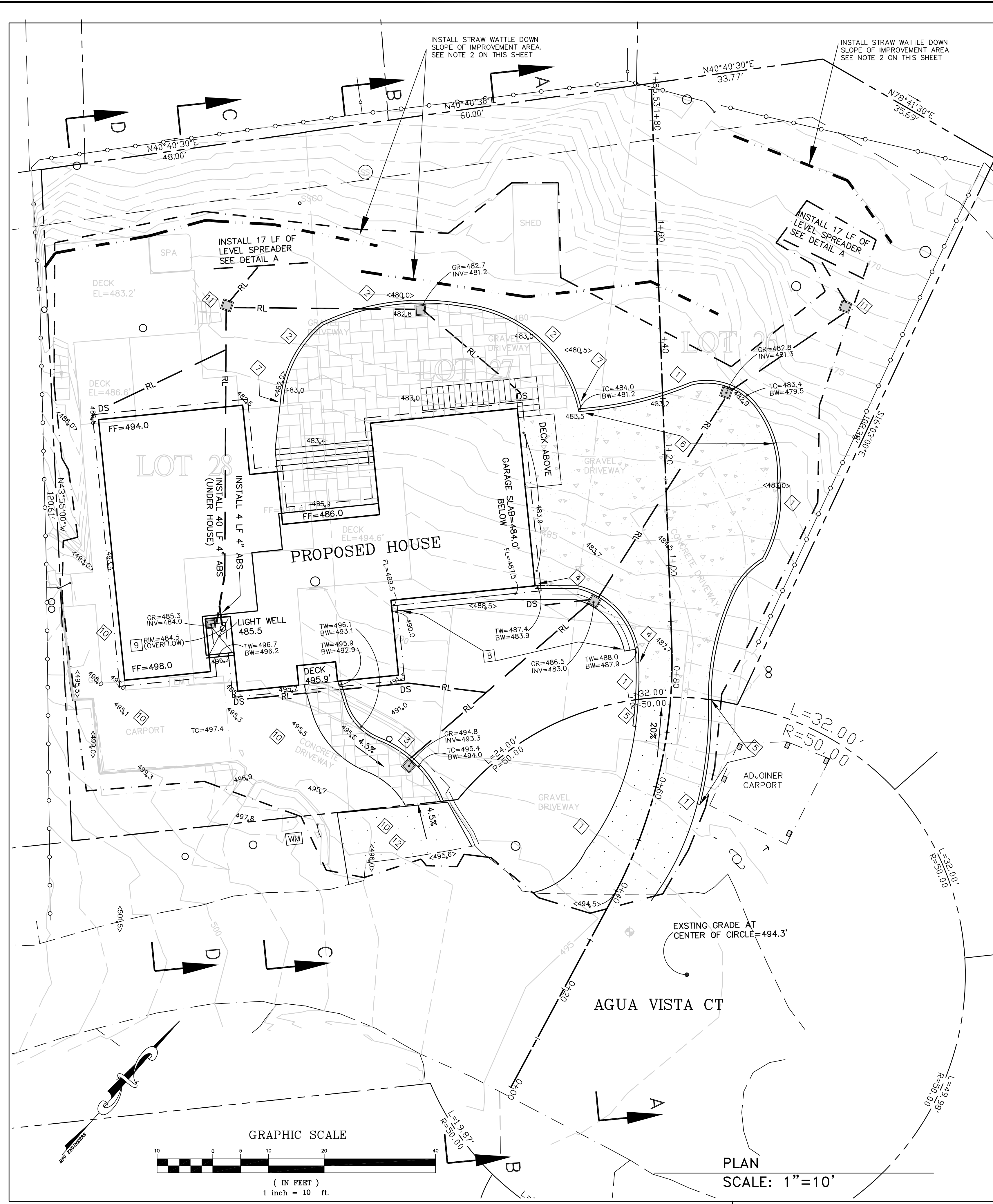
DETAIL B
SCALE: NONE



PLAN
SCALE: 1"=10'



BY	MFG	REVISION		DATE	4/27/21
RESPOND TO PLAN CHECK COMMENTS		1			
REVISION		1			
DATE		1			
PROJECT ENGINEER	MFG Engineers, Inc PO BOX 1914 APTOS, CA. 95001 (831) 763-1661 CEL (831) 601-9519				
PROJECT ENGINEER	068-31-200 & 210 GRADING & DRAINAGE PLAN 11 AGUA VISTA CT, REDWOOD CITY, CA				
DRAWN:	MFG				
CHECKED:	MFG				
DATE:	1/2021				
SCALE:	1"=10'				
JOB NO.					
SHEET	C1 of 5				
SHEET NAME:					
DRAWING NAME:					



EROSION CONTROL REQUIREMENTS

THE FOLLOWING EROSION CONTROL AND HOUSE KEEPING MEASURES ARE INTENDED TO CONTROL THE RELEASE OF SILT, DUST, GARBAGE AND ANY OTHER POLLUTANTS FROM THE SITE OR INTO THE ATMOSPHERE AND SOIL DURING CONSTRUCTION. THESE MEASURES ARE INTENDED TO COMPLY WITH FEDERAL, STATE AND LOCAL REQUIREMENTS THROUGH THE USE OF BEST MANAGEMENT PRACTICES (BMP'S) LISTED BELOW.

- COVER OF BARE SOIL:** ONE OF THE FOLLOWING MEASURES SHALL BE USED TO COVER BARE SOIL DURING THE WINTER SEASON (OCTOBER 15TH TO APRIL 15TH);

SEED AND STRAW MULCH:
SEED AND STRAW MULCH SHALL BE USED IN DISTURBED AREAS AS A MEANS FOR TEMPORARY EROSION CONTROL UNTIL PERMANENT STABILIZATION IS ESTABLISHED. IT MAY BE USED ON SLOPES UP TO 3:1 H:V (33%).

SEED AND STRAW MULCH SHALL CONSIST OF SPREADING SEED (A MINIMUM OF 5 LBS/1000 SQ FT) OVER DISTURBED AREAS AND THEN PLACING A UNIFORM LAYER OF STRAW (2-3 BALES/1000 SQ FT) AND INCORPORATING IT INTO THE SOIL WITH A STUDDED ROLLER OR ANCHORING IT WITH A TACKIFIER STABILIZING EMULSION.

SEED SHALL BE ANNUAL WINTER BARLEY AND THE STRAW SHALL BE DERIVED FROM RICE BARLY OR WHEAT.

EROSION CONTROL BLANKETS (GEOTEXTILE OR EROSION MATS)
EROSION CONTROL BLANKETS ARE REQUIRED ON SLOPES STEEPER THAN 3:1, HOWEVER THEY MAY BE USED ON GROUND SURFACES FLATTER THAN 3:1 IN LIEU OF SEED AND STRAW MULCH. SEEDING MUST BE PLACED ON THE DISTURBED GROUND PRIOR TO PLACEMENT OF THE EROSION CONTROL BLANKET AND DESCRIBED IN THE SEED AND STRAW MULCH SECTION ABOVE.
- SEDIMENT CONTROL:**

FIBER ROLLS (WATTLES) SHALL BE PLACED AT THE DOWN SLOPE PERIMETER OF DISTURBANCE LIMITS TO PREVENT OR LIMIT SEDIMENT FROM LEAVING THE SITE. IN URBAN AREAS OR SITES DIRECTLY ADJACENT TO STREETS, FIBER ROLLS SHALL BE PLACED AT THE BACK OF SIDEWALK OR CURB TO LIMIT SEDIMENT FROM ENTERING THE STREET.

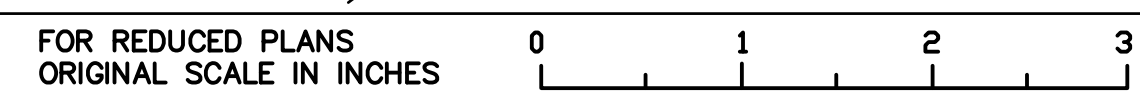
STORM DRAIN INLET PROTECTION:
ALL STORM DRAIN INLETS ON THE SITE (NEW AND EXISTING) AND EXISTING DOWNSTREAM OFFSITE INLETS SHALL RECEIVE STORM DRAIN INLET PROTECTION AS SHOWN ON THE STORM DRAIN INLET PROTECT DETAIL ON THIS PLAN.
- STABILIZED CONSTRUCTION EXIT:**
THIS DESIGNER DOES NOT BELIEVE THAT A STABILIZED CONSTRUCTION EXIT WOULD BE EFFECTIVE FOR THIS PROJECT. CONTRACTOR SHALL EFFECTIVELY LIMIT OFF SITE TRACKING BY SWEEPING THE STREET DAILY IF NECESSARY AND BY OTHER MEANS AS DEVISED BY THE CONTRACTOR OR DIRECTED BY THE COUNTY INSPECTOR.
- ROCKED ACCESS AREAS:**
CONTRACTOR SHALL PROVIDE A ROCKED ACCESS AREA WERE CONSTRUCTION VEHICLES PARK, TRAVEL AND WORK. ROCKED ACCESS AREAS SHALL CONSIST OF 6" OF COMPACTED BASE ROCK OR DRAIN ROCK. ROCKED ACCESS AREAS ARE INTENDED TO KEEP CONSTRUCTION VEHICLES OFF OF BARE SOIL.
- HOUSE KEEPING REQUIREMENTS:**

DUST CONTROL /WIND EROSION CONTROL:
CONTRACTOR SHALL EFFECTIVELY LIMIT DUST AND WIND EROSION BY WATERING THE SITE AS NEEDED AND KEEPING ALL MATERIAL STOCK PILES COVERED WHEN NOT IN USE.

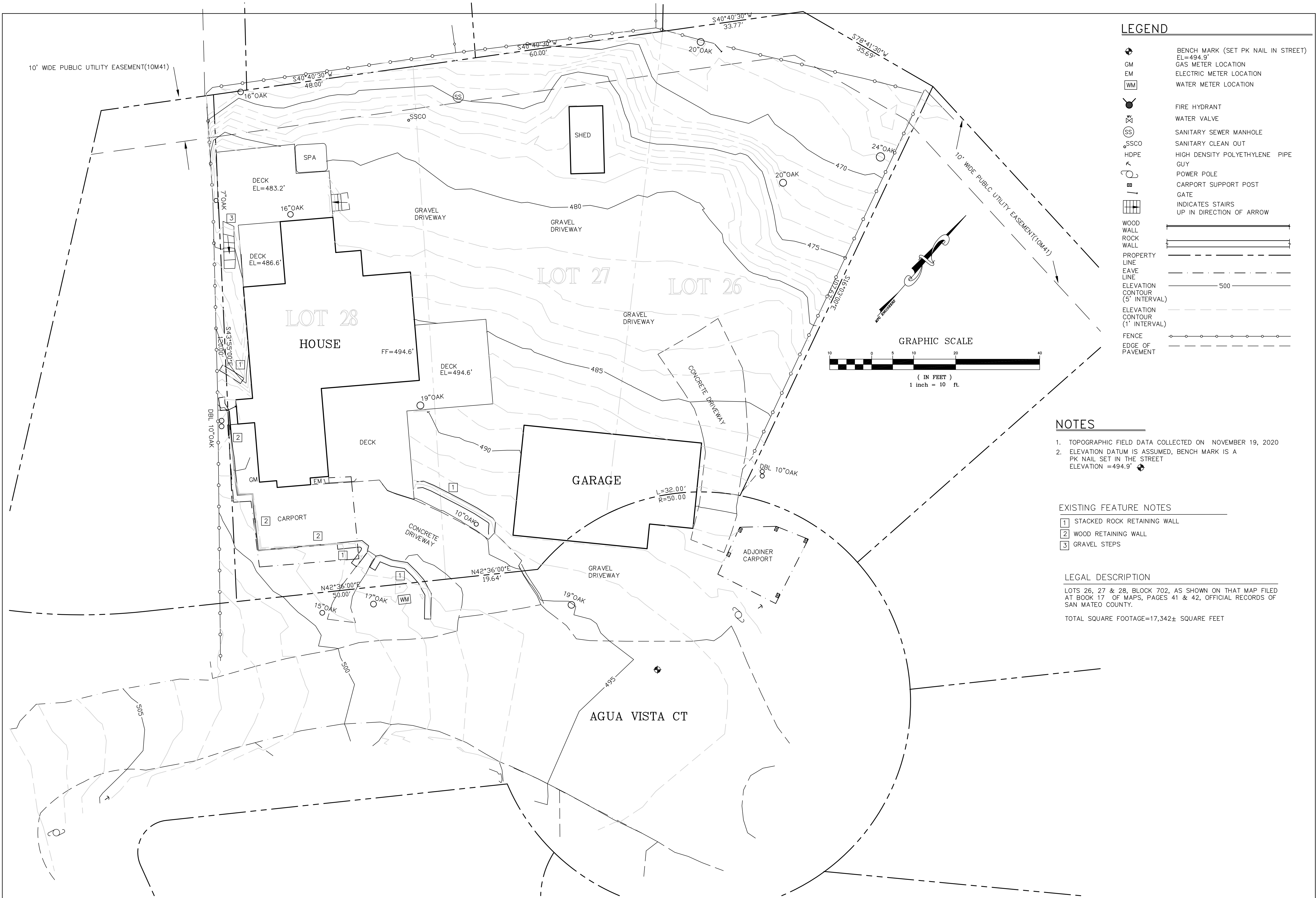
CONSTRUCTION MATERIALS:
ALL LOOSE OF STOCKPILED CONSTRUCTION MATERIALS THAT ARE NOT ACTIVELY BEING USED (I.E. SOIL SPOILS, AGGREGATE FLY ASH, STUCCO, HYDRATED LIME, ETC) SHALL BE COVERED AND BERMED.
ALL CHEMICALS SHALL BE STORED IN WATERTIGHT CONTAINERS (WITH APPROPRIATE SECONDARY CONTAINMENT TO PREVENT ANY SPILLAGE OR LEAKAGE) OR IN A STORAGE SHED, COMPLETELY ENCLOSED.
EXPOSURE OF CONSTRUCTION MATERIALS TO PRECIPITATION SHALL BE MINIMIZED. THIS DOES NOT INCLUDE THOSE MATERIALS AND EQUIPMENT THAT ARE INTENDED TO BE OUTSIDE.
BEST MANAGEMENT PRACTICES TO LIMIT AND PREVENT THE OFF-SITE TRACKING OF LOOSE CONSTRUCTION MATERIALS SHALL BE IMPLEMENTED.

WASTE MANAGEMENT:
DISPOSAL OF ANY RINSE OR WASH WATER OR MATERIALS ON IMPERVIOUS OR PERVIOUS SURFACES OR INTO THE STORM DRAIN SYSTEM SHALL BE PREVENTED.
SANITATION FACILITIES SHALL BE CONTAINED (E.G. PORTABLE TOILETS) TO PREVENT DISCHARGES OF POLLUTANTS. PORTABLE TOILETS SHALL BE LOCATED A MINIMUM OF 20' FROM DRAIN INLETS, STREETS, DRIVEWAYS, DRAINAGE FACILITIES, STREAMS OR OTHER RIPARIAN AREAS.
SANITATION FACILITIES SHALL BE INSECTED REGULARLY AND CLEANED AND REPLACED AS NECESSARY.
COVER WASTE AND DISPOSAL CONTAINERS AT THE END OF EACH WORK DAY AND DURING EACH RAIN EVENT.
DISCHARGES FROM WASTE DISPOSAL CONTAINERS TO THE STORM WATER DRAINAGE SYSTEM SHALL BE PREVENTED.
STOCKPILED WASTE MATERIAL SHALL BE CONTAINED AND SECURELY PROTECTED FROM WIND AND RAIN AT ALL TIMES UNLESS ACTIVELY BEING USED.
PROCEDURES THAT EFFECTIVELY ADDRESS HAZARDOUS AND NON-HAZARDOUS SPILLS SHALL BE IMPLEMENTED.
EQUIPMENT AND MATERIALS FOR CLEANUP OF SPILLS SHALL BE AVAILABLE ON SITE SO THAT SPILLS AND LEAKS CAN AND SHALL BE CLEANED IMMEDIATELY AND DISPOSED OF PROPERLY.
CONCRETE WASHOUT AREAS AND OTHER WASHOUT AREAS THAT CONTAIN POSSIBLE POLLUTANTS SHALL BE CONSTRUCTED TO EFFECTIVELY CONTAIN POLLUTANTS SO THAT THERE IS NO DISCHARGE INTO THE SOIL OR SURROUNDING AREA.
- VEHICLE STORAGE & MAINTENANCE:**
MEASURES SHALL BE TAKEN TO PREVENT OIL, GREASE OR FUEL FROM LEAKING ONTO THE GROUND OR INTO STORM DRAINS OR SURFACE WATERS.
ALL EQUIPMENT OR VEHICLES, WHICH ARE TO BE FUELED, MAINTAINED AND STORED ON SITE SHALL BE IN A DESIGNATED AREA FITTED WITH APPROPRIATE BMP'S.
LEAKS SHALL BE IMMEDIATELY CLEANED AND LEAKED MATERIALS SHALL BE DISPOSED OF PROPERLY.
- LANDSCAPE MATERIALS:**
CONTAIN STOCKPILED AND STORED MATERIALS SUCH AS MULCHES, TOPSOIL, FERTILIZERS AND OTHER LANDSCAPE MATERIALS WHEN THEY ARE NOT BEING ACTIVELY USED.
DISCONTINUE THE APPLICATION OF ANY ERODIBLE LANDSCAPE MATERIALS WITHIN 2 DAYS BEFORE A FORECAST RAIN EVENT OR DURING PERIODS OF RAIN.
APPLY ERODIBLE LANDSCAPE MATERIAL AT QUANTITIES AND APPLICATION RATES ACCORDING TO MAUFACTURES' RECOMMENDATIONS OR BASED ON WRITTEN SPECIFICATIONS BY KNOWLEDGEABLE AND EXPERIENCED PERSONNEL.

BY	
REVISION	
DATE	
LAND SURVEYOR	MICHAEL F. GOODINE No. 7369 Exp. 12/31/24 STATE OF CALIFORNIA
REGISTERED PROFESSIONAL ENGINEER	MICHAEL F. GOODINE No. 48754 Exp. 12/31/24 STATE OF CALIFORNIA
PROJECT ENGINEER	MFG Engineers, Inc PO BOX 1914 APTOS, CA. 95001 (831) 763-1661 CEL (831) 601-9519
068-31-200 & 210	
WATER POLLUTION CONTROL PLAN	
11 AGUA VISTA CT, REDWOOD CITY, CA	
DRAWN:	MFG
CHECKED:	MFG
DATE:	1/2021
SCALE:	1"=10'
JOB NO.	
SHEET	C3 OF 5



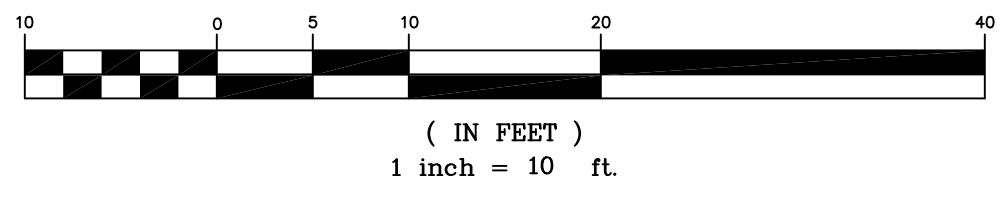
SHEET NAME: DRAWING NAME:



LEGEND

- ⊕ BENCH MARK (SET PK NAIL IN STREET)
EL=494.9'
- GM GAS METER LOCATION
- EM ELECTRIC METER LOCATION
- WM WATER METER LOCATION
- ⊙ FIRE HYDRANT
- ⊙ WATER VALVE
- ⊙ SS SANITARY SEWER MANHOLE
- ⊙ SSCO SANITARY CLEAN OUT
- HDPE HIGH DENSITY POLYETHYLENE PIPE
- GUY GUY
- POWER POLE
- ⊙ CARPORT SUPPORT POST
- GATE
- INDICATES STAIRS
- UP IN DIRECTION OF ARROW
- WOOD WALL
- ROCK WALL
- PROPERTY LINE
- EAVE LINE
- ELEVATION CONTOUR (5' INTERVAL)
- ELEVATION CONTOUR (1' INTERVAL)
- FENCE
- EDGE OF PAVEMENT

GRAPHIC SCALE



NOTES

1. TOPOGRAPHIC FIELD DATA COLLECTED ON NOVEMBER 19, 2020
2. ELEVATION DATUM IS ASSUMED, BENCH MARK IS A PK NAIL SET IN THE STREET ELEVATION = 494.9'

EXISTING FEATURE NOTES

- 1 STACKED ROCK RETAINING WALL
- 2 WOOD RETAINING WALL
- 3 GRAVEL STEPS

LEGAL DESCRIPTION

LOTS 26, 27 & 28, BLOCK 702, AS SHOWN ON THAT MAP FILED AT BOOK 17 OF MAPS, PAGES 41 & 42, OFFICIAL RECORDS OF SAN MATEO COUNTY.
TOTAL SQUARE FOOTAGE=17,342± SQUARE FEET

FOR REDUCED PLANS ORIGINAL SCALE IN INCHES 0 1 2 3

SHEET NAME: DRAWING NAME:

BY	
REVISION	
DATE	
PROJECT ENGINEER	<p>068-31-200 & 210 TOPOGRAPHIC MAP 11 AGUA VISTA CT, REDWOOD CITY, CA</p>
PROJECT ENGINEER	<p>MFG Engineers, Inc PO BOX 1914 APTOS, CA. 95001 (831) 763-1661 CEL (831) 601-9519</p>
DRAWN:	MFG
CHECKED:	MFG
DATE:	11/2020
SCALE:	1"=10'
JOB NO.	
SHEET	C4 of 5



SAN MATEO COUNTYWIDE

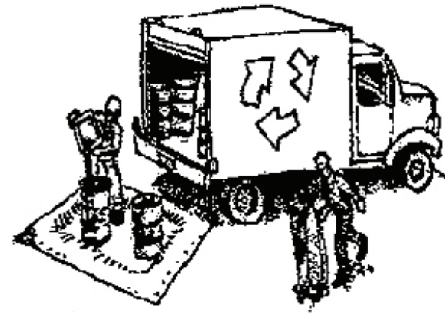
Water Pollution Prevention Program

Clean Water. Healthy Community.

Construction Best Management Practices (BMPs)

Construction projects are required to implement the stormwater best management practices (BMP) on this page, as they apply to your project, all year long.

Materials & Waste Management



Non-Hazardous Materials

- ❑ Berm and cover stockpiles of sand, dirt or other construction material with tarps when rain is forecast or if not actively being used within 14 days.
- ❑ Use (but don't overuse) reclaimed water for dust control.

Hazardous Materials

- ❑ Label all hazardous materials and hazardous wastes (such as pesticides, paints, thinners, solvents, fuel, oil, and antifreeze) in accordance with city, county, state and federal regulations.
- ❑ Store hazardous materials and wastes in water tight containers, store in appropriate secondary containment, and cover them at the end of every work day or during wet weather or when rain is forecast.
- ❑ Follow manufacturer's application instructions for hazardous materials and be careful not to use more than necessary. Do not apply chemicals outdoors when rain is forecast within 24 hours.
- ❑ Arrange for appropriate disposal of all hazardous wastes.

Waste Management

- ❑ Cover waste disposal containers securely with tarps at the end of every work day and during wet weather.
- ❑ Check waste disposal containers frequently for leaks and to make sure they are not overfilled. Never hose down a dumpster on the construction site.
- ❑ Clean or replace portable toilets, and inspect them frequently for leaks and spills.
- ❑ Dispose of all wastes and debris properly. Recycle materials and wastes that can be recycled (such as asphalt, concrete, aggregate base materials, wood, gyp board, pipe, etc.)
- ❑ Dispose of liquid residues from paints, thinners, solvents, glues, and cleaning fluids as hazardous waste.

Construction Entrances and Perimeter

- ❑ Establish and maintain effective perimeter controls and stabilize all construction entrances and exits to sufficiently control erosion and sediment discharges from site and tracking off site.
- ❑ Sweep or vacuum any street tracking immediately and secure sediment source to prevent further tracking. Never hose down streets to clean up tracking.

Equipment Management & Spill Control



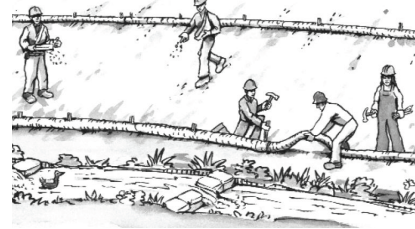
Maintenance and Parking

- ❑ Designate an area, fitted with appropriate BMPs, for vehicle and equipment parking and storage.
- ❑ Perform major maintenance, repair jobs, and vehicle and equipment washing off site.
- ❑ If refueling or vehicle maintenance must be done onsite, work in a bermed area away from storm drains and over a drip pan or drop cloths big enough to collect fluids. Recycle or dispose of fluids as hazardous waste.
- ❑ If vehicle or equipment cleaning must be done onsite, clean with water only in a bermed area that will not allow rinse water to run into gutters, streets, storm drains, or surface waters.
- ❑ Do not clean vehicle or equipment onsite using soaps, solvents, degreasers, or steam cleaning equipment.

Spill Prevention and Control

- ❑ Keep spill cleanup materials (e.g., rags, absorbents and cat litter) available at the construction site at all times.
- ❑ Inspect vehicles and equipment frequently for and repair leaks promptly. Use drip pans to catch leaks until repairs are made.
- ❑ Clean up spills or leaks immediately and dispose of cleanup materials properly.
- ❑ Do not hose down surfaces where fluids have spilled. Use dry cleanup methods (absorbent materials, cat litter, and/or rags).
- ❑ Sweep up spilled dry materials immediately. Do not try to wash them away with water, or bury them.
- ❑ Clean up spills on dirt areas by digging up and properly disposing of contaminated soil.
- ❑ Report significant spills immediately. You are required by law to report all significant releases of hazardous materials, including oil. To report a spill: 1) Dial 911 or your local emergency response number, 2) Call the Governor's Office of Emergency Services Warning Center, (800) 852-7550 (24 hours).

Earthmoving



- ❑ Schedule grading and excavation work during dry weather.
- ❑ Stabilize all denuded areas, install and maintain temporary erosion controls (such as erosion control fabric or bonded fiber matrix) until vegetation is established.
- ❑ Remove existing vegetation only when absolutely necessary, and seed or plant vegetation for erosion control on slopes or where construction is not immediately planned.
- ❑ Prevent sediment from migrating offsite and protect storm drain inlets, gutters, ditches, and drainage courses by installing and maintaining appropriate BMPs, such as fiber rolls, silt fences, sediment basins, gravel bags, berms, etc.
- ❑ Keep excavated soil on site and transfer it to dump trucks on site, not in the streets.

Contaminated Soils

- ❑ If any of the following conditions are observed, test for contamination and contact the Regional Water Quality Control Board:
 - Unusual soil conditions, discoloration, or odor.
 - Abandoned underground tanks.
 - Abandoned wells
 - Buried barrels, debris, or trash.

Paving/Asphalt Work



- ❑ Avoid paving and seal coating in wet weather or when rain is forecast, to prevent materials that have not cured from contacting stormwater runoff.
- ❑ Cover storm drain inlets and manholes when applying seal coat, tack coat, slurry seal, fog seal, etc.
- ❑ Collect and recycle or appropriately dispose of excess abrasive gravel or sand. Do NOT sweep or wash it into gutters.
- ❑ Do not use water to wash down fresh asphalt concrete pavement.

Sawcutting & Asphalt/Concrete Removal

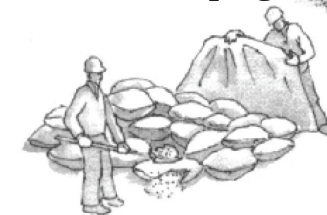
- ❑ Protect nearby storm drain inlets when saw cutting. Use filter fabric, catch basin inlet filters, or gravel bags to keep slurry out of the storm drain system.
- ❑ Shovel, absorb, or vacuum saw-cut slurry and dispose of all waste as soon as you are finished in one location or at the end of each work day (whichever is sooner!).
- ❑ If sawcut slurry enters a catch basin, clean it up immediately.

Concrete, Grout & Mortar Application



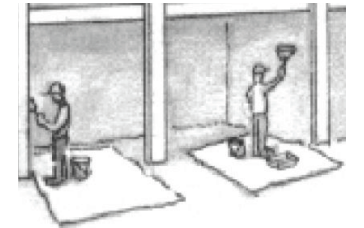
- ❑ Store concrete, grout, and mortar away from storm drains or waterways, and on pallets under cover to protect them from rain, runoff, and wind.
- ❑ Wash out concrete equipment/trucks offsite or in a designated washout area, where the water will flow into a temporary waste pit, and in a manner that will prevent leaching into the underlying soil or onto surrounding areas. Let concrete harden and dispose of as garbage.
- ❑ When washing exposed aggregate, prevent washwater from entering storm drains. Block any inlets and vacuum gutters, hose washwater onto dirt areas, or drain onto a bermed surface to be pumped and disposed of properly.

Landscaping



- ❑ Protect stockpiled landscaping materials from wind and rain by storing them under tarps all year-round.
- ❑ Stack bagged material on pallets and under cover.
- ❑ Discontinue application of any erodible landscape material within 2 days before a forecast rain event or during wet weather.

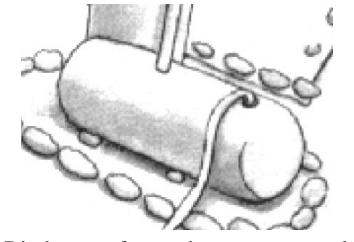
Painting & Paint Removal



Painting Cleanup and Removal

- ❑ Never clean brushes or rinse paint containers into a street, gutter, storm drain, or stream.
- ❑ For water-based paints, paint out brushes to the extent possible, and rinse into a drain that goes to the sanitary sewer. Never pour paint down a storm drain.
- ❑ For oil-based paints, paint out brushes to the extent possible and clean with thinner or solvent in a proper container. Filter and reuse thinners and solvents. Dispose of excess liquids as hazardous waste.
- ❑ Paint chips and dust from non-hazardous dry stripping and sand blasting may be swept up or collected in plastic drop cloths and disposed of as trash.
- ❑ Chemical paint stripping residue and chips and dust from marine paints or paints containing lead, mercury, or tributyltin must be disposed of as hazardous waste. Lead based paint removal requires a state-certified contractor.

Dewatering



- ❑ Discharges of groundwater or captured runoff from dewatering operations must be properly managed and disposed. When possible send dewatering discharge to landscaped area or sanitary sewer. If discharging to the sanitary sewer call your local wastewater treatment plant.
- ❑ Divert run-on water from offsite away from all disturbed areas.
- ❑ When dewatering, notify and obtain approval from the local municipality before discharging water to a street gutter or storm drain. Filtration or diversion through a basin, tank, or sediment trap may be required.
- ❑ In areas of known or suspected contamination, call your local agency to determine whether the ground water must be tested. Pumped groundwater may need to be collected and hauled off-site for treatment and proper disposal.

Storm drain polluters may be liable for fines of up to \$10,000 per day!